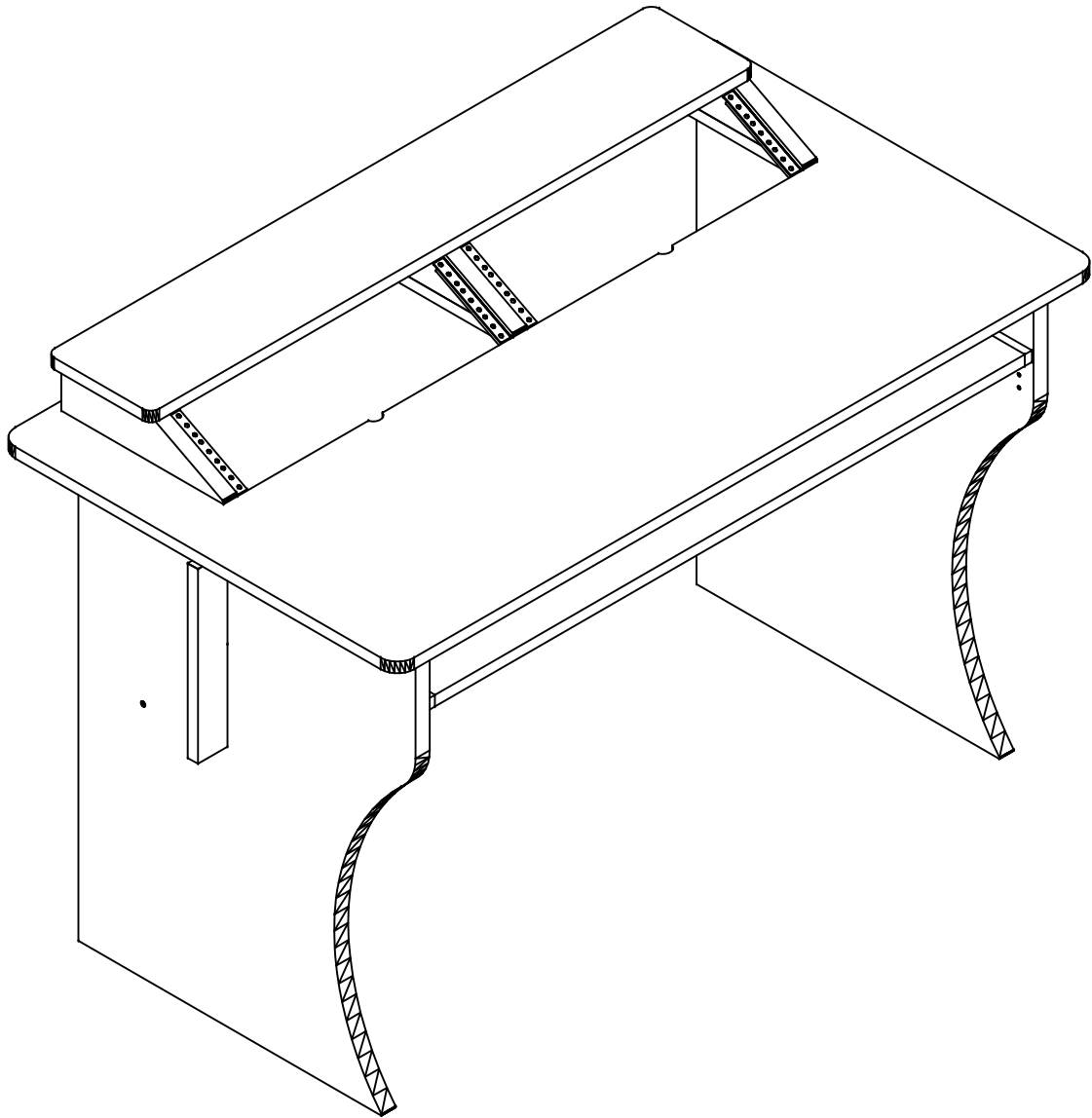
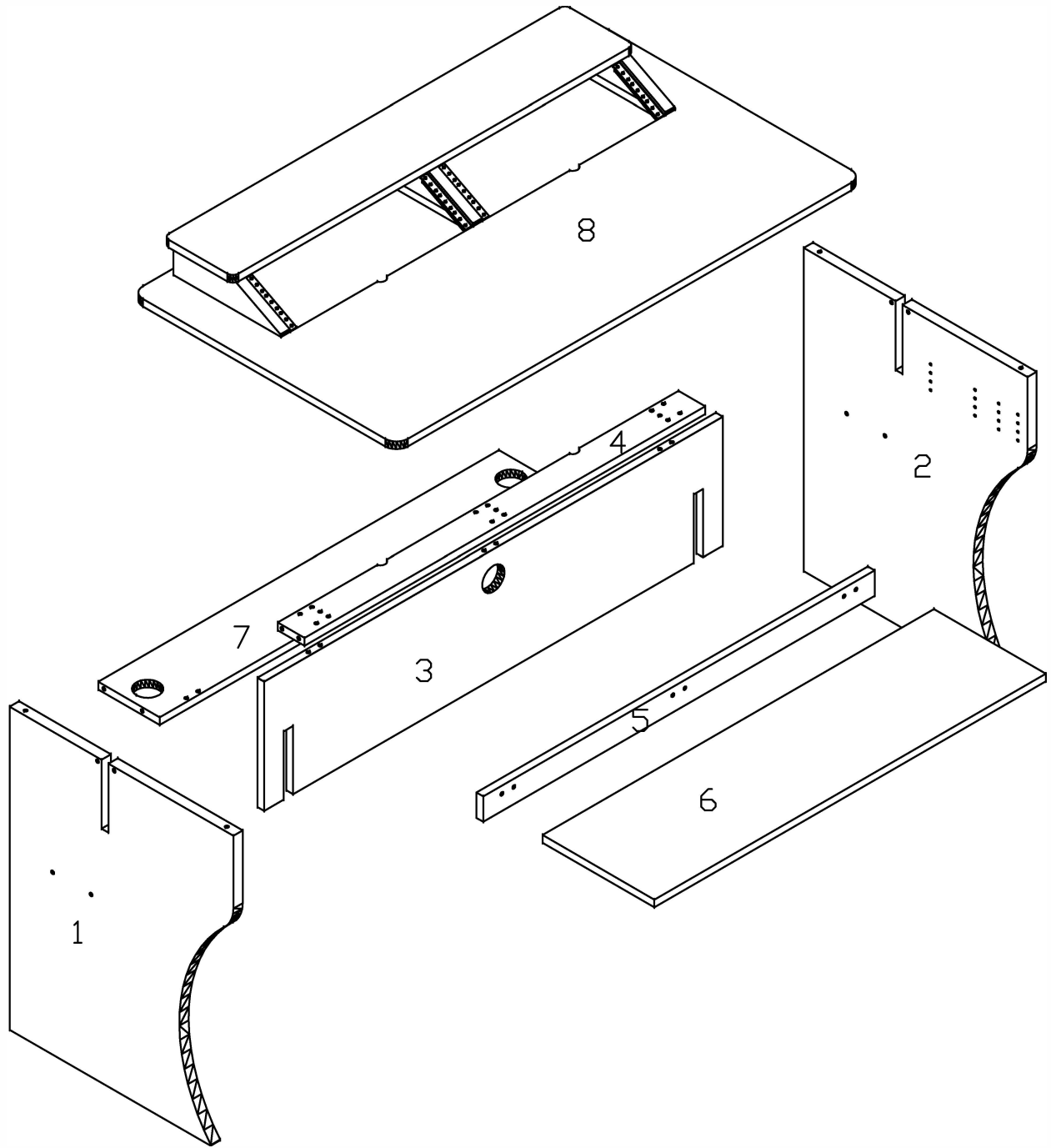


ComboDesk



COMBO DESK Assembly Manual

ComboDesk

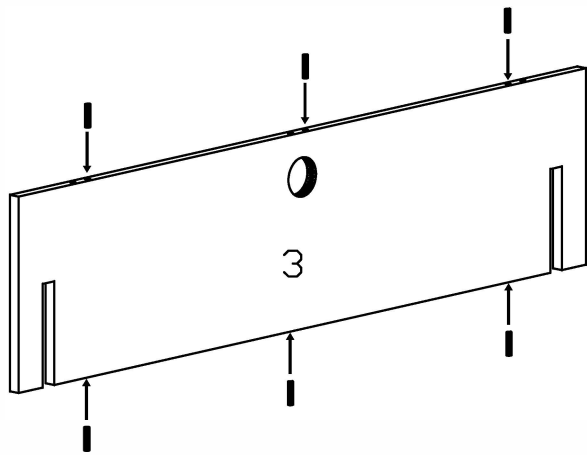


Packing List:

N° 08+1 screws M6x40 A;
N° 15+1 screws M6x30 B;
N° 13+3 dowels C;

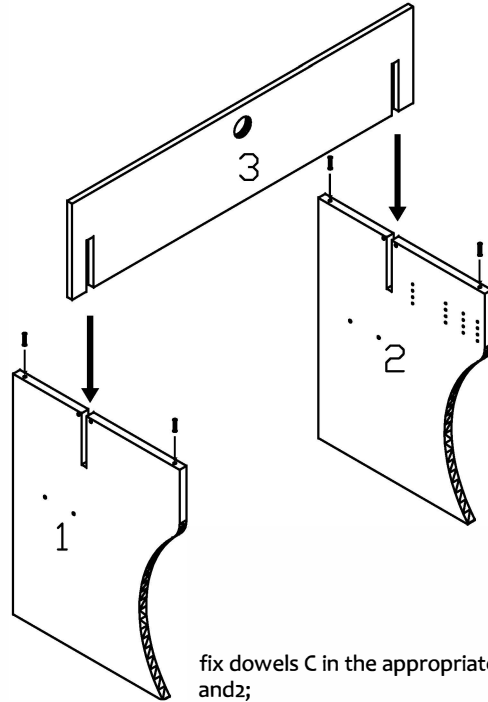
N° 24 screws for rack ;
N° 01 hex wrench ;

ComboDesk



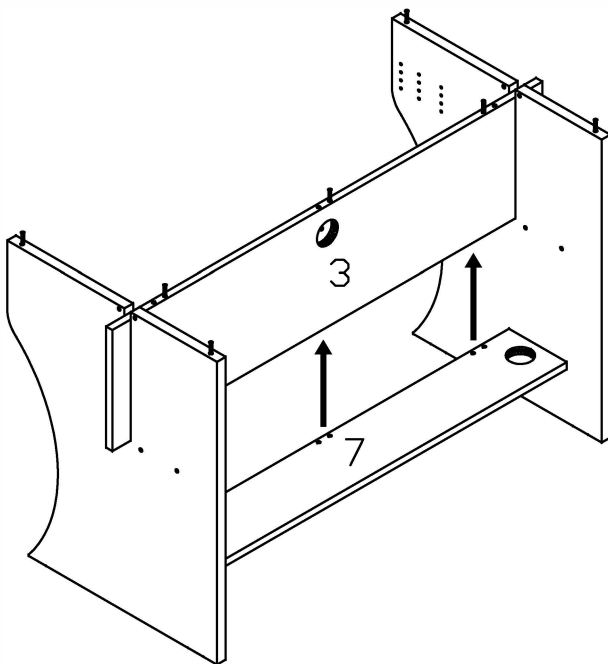
fix dowels C in the appropriate holes

STEP 1

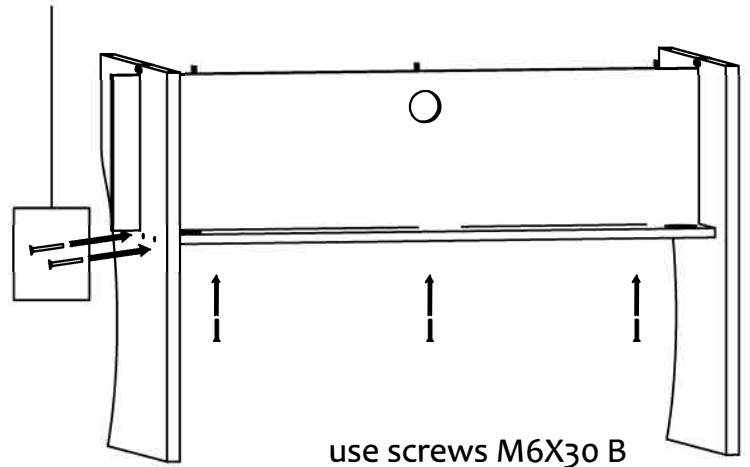


fix dowels C in the appropriate holes of the panels 1 and 2; fix panel 3;

STEP 2



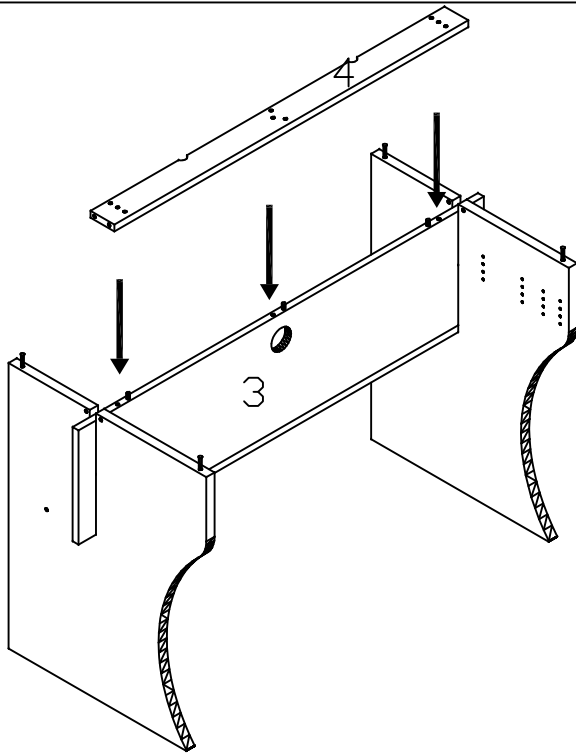
use screws M6X40 A



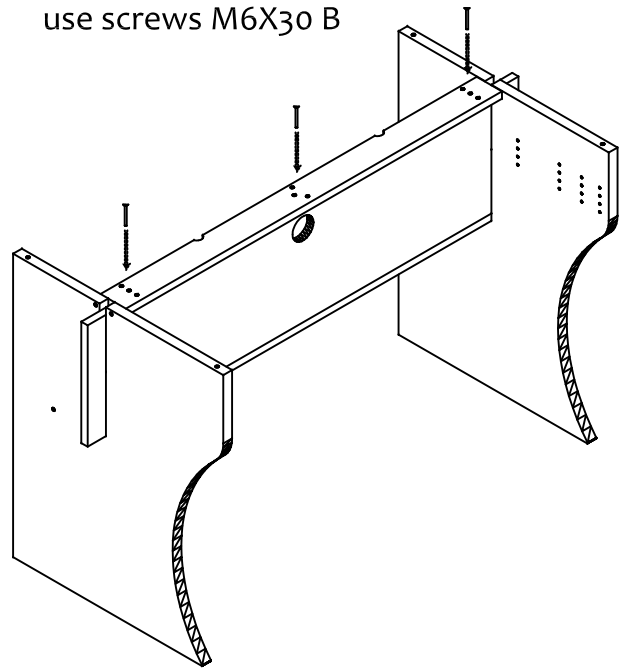
use screws M6X30 B

STEP 3

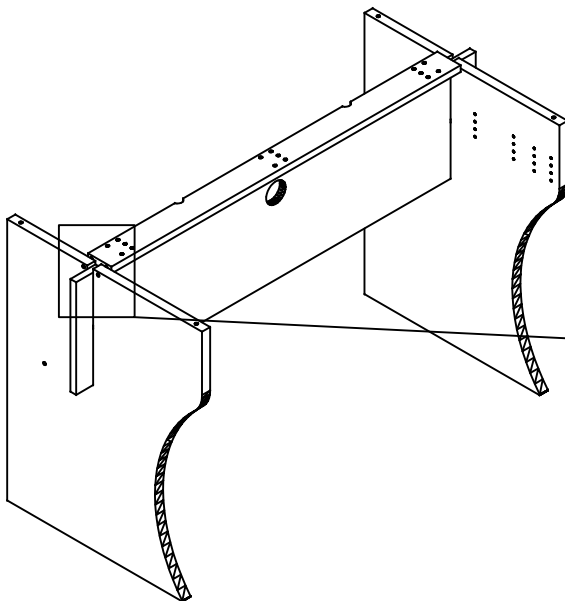
ComboDesk



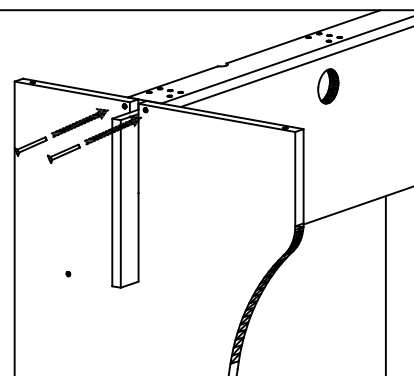
use screws M6X30 B



STEP 4

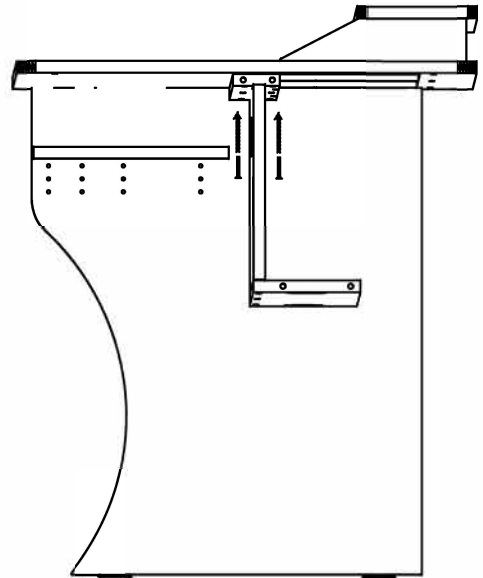
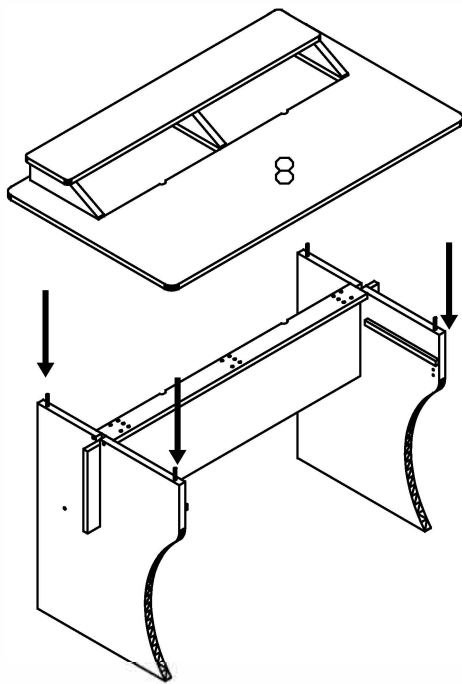


use screws M6X40 A



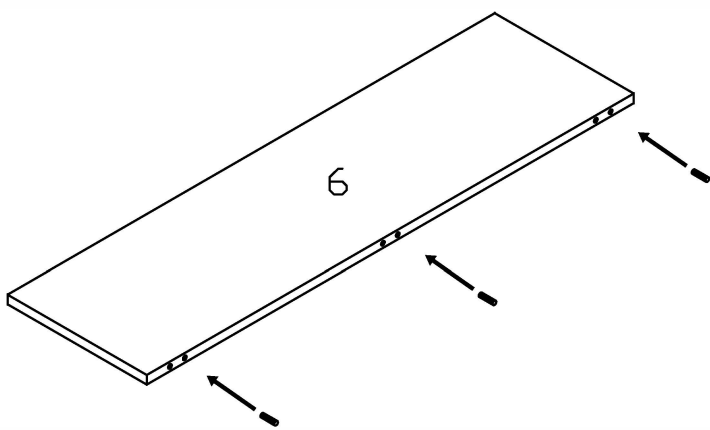
STEP 5

ComboDesk

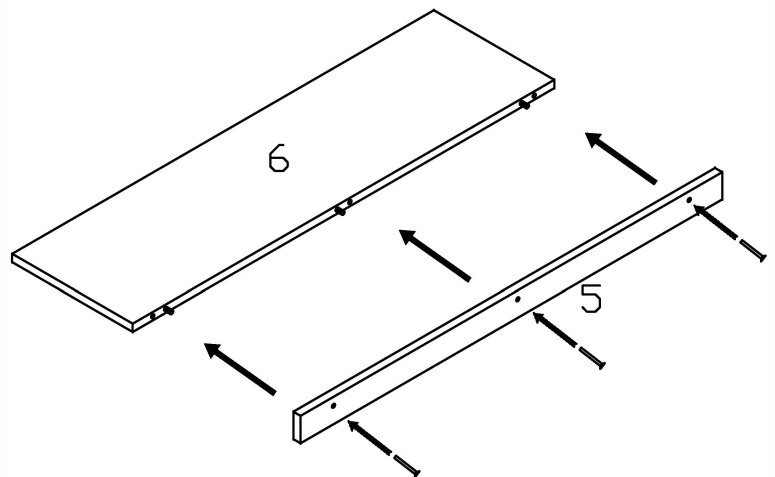


use screws M6X30 B

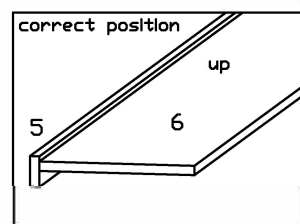
STEP 6



dowels C in the appropriate holes

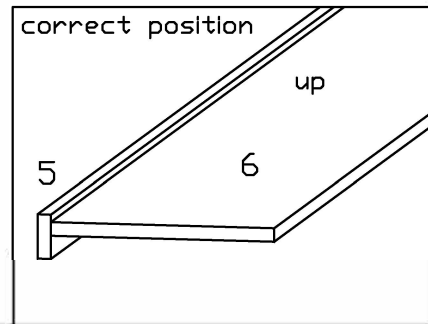
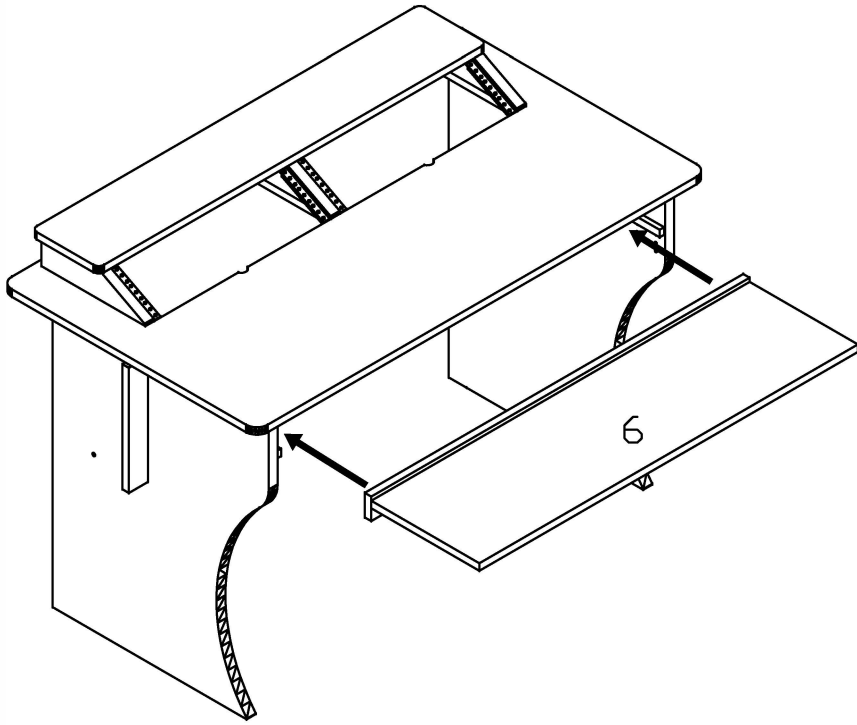


use screws M6X30 B



STEP 7

ComboDesk



STEP 8