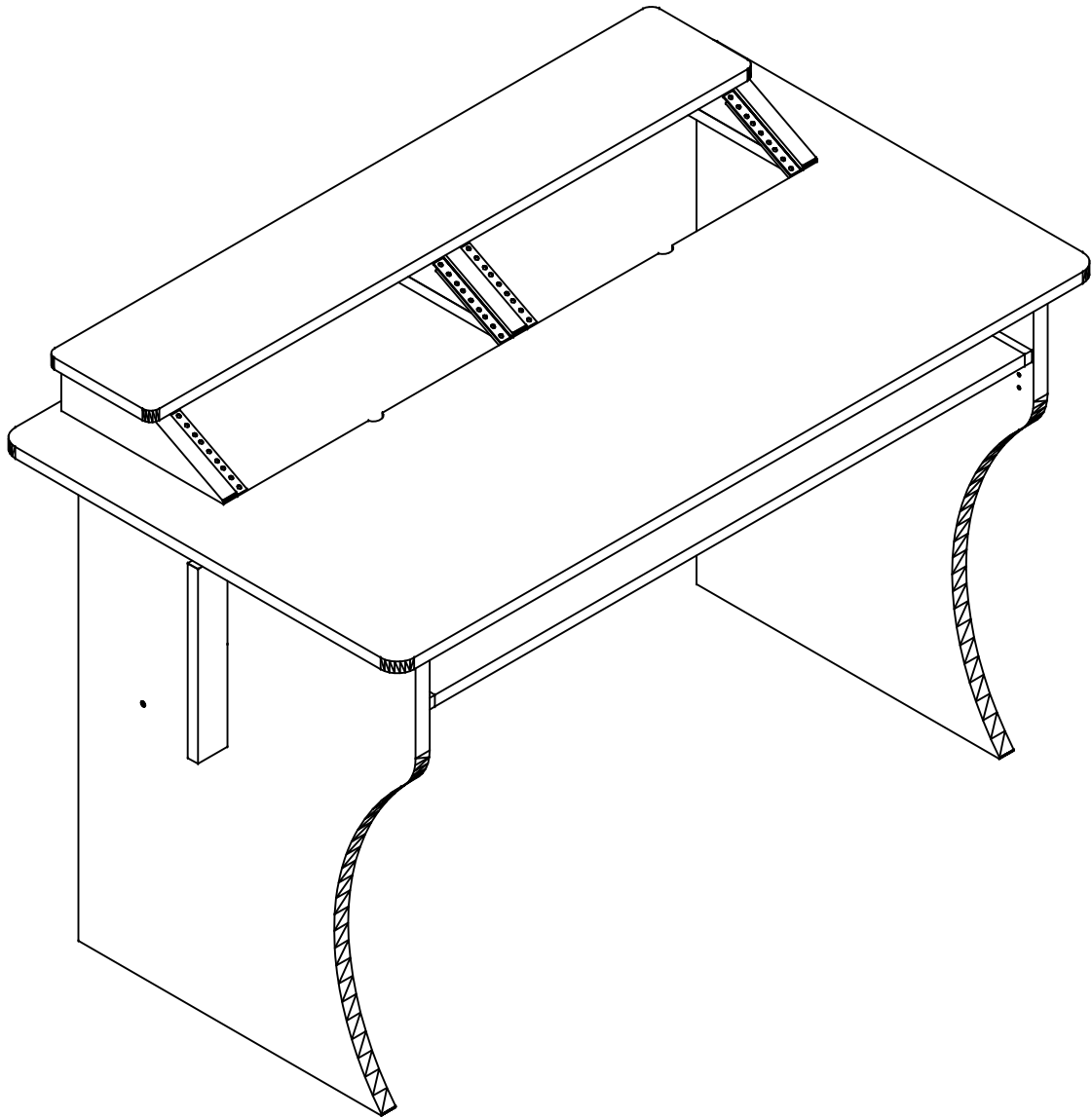
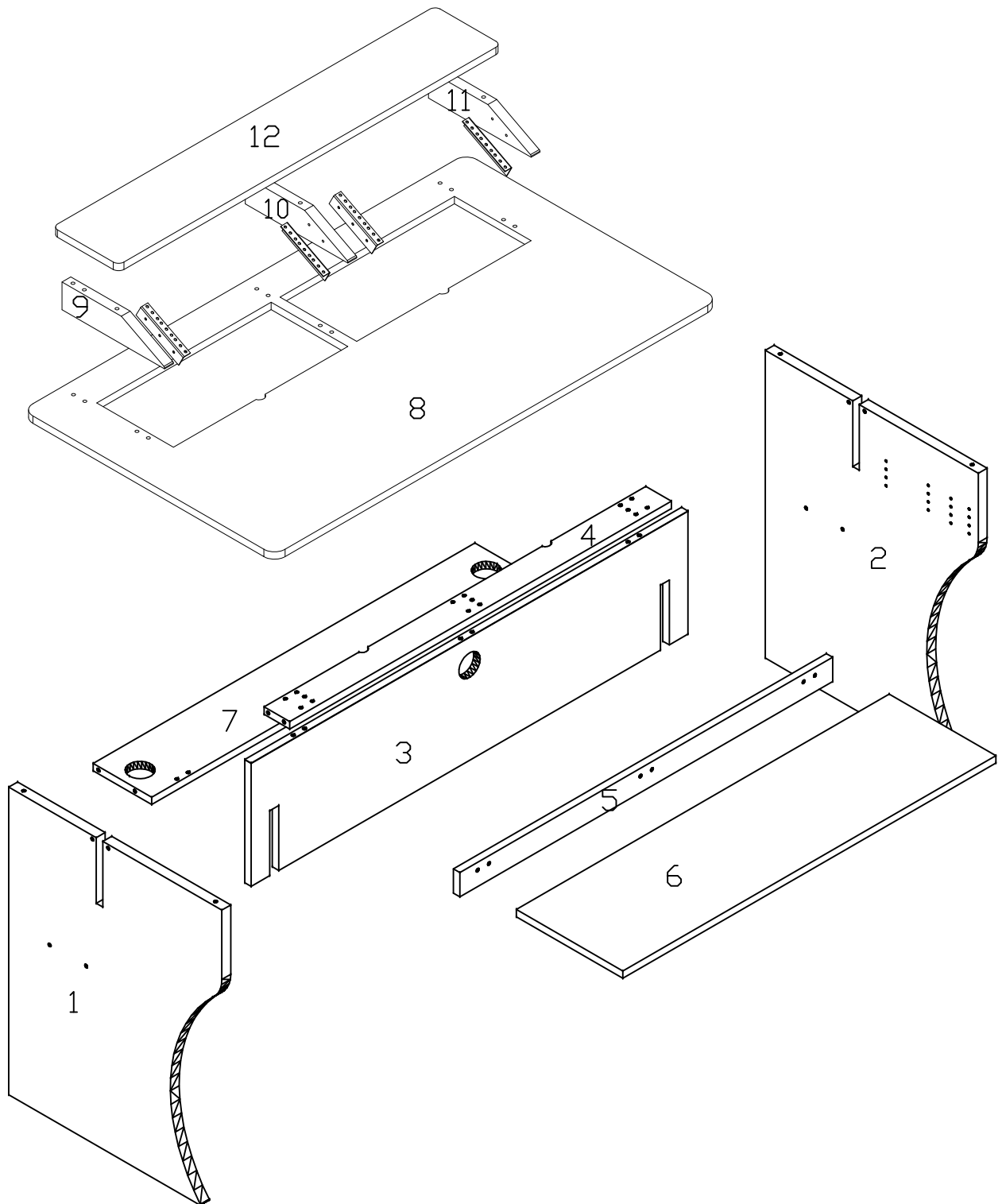


ComboDesk



COMBO DESK Assembly Manual

ComboDesk



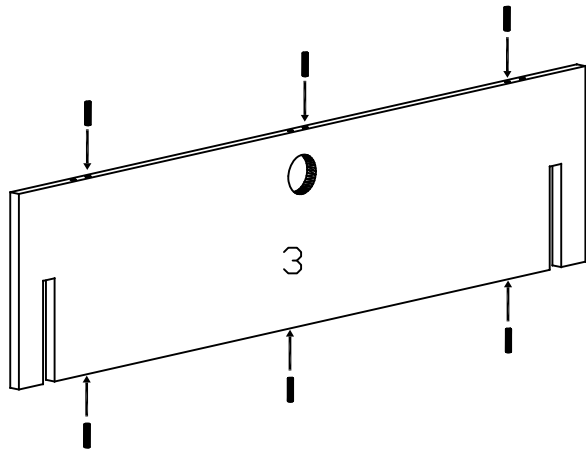
Packing List:

N° 08+1 screws M6x40 A;
N° 18+1 screws M6x30 B;
N° 13+3 wooden connectors C;

N° 24 screws for rack;
N° 01 hex wrench;
N° 03+1 screws M6X100 D;

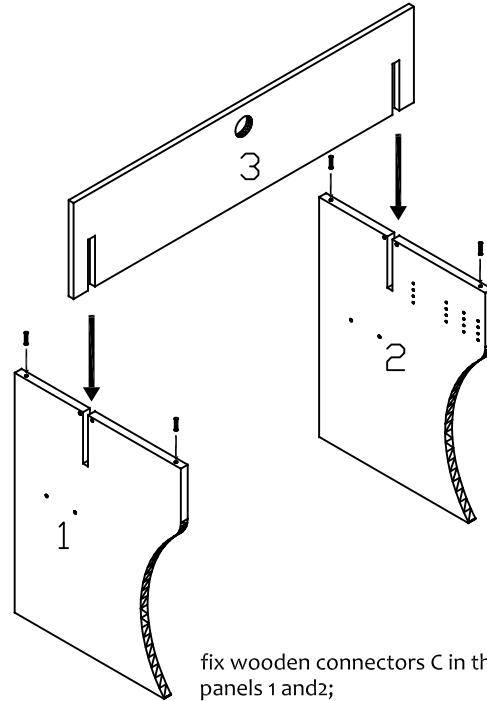
N° 08+1 screws E;

ComboDesk



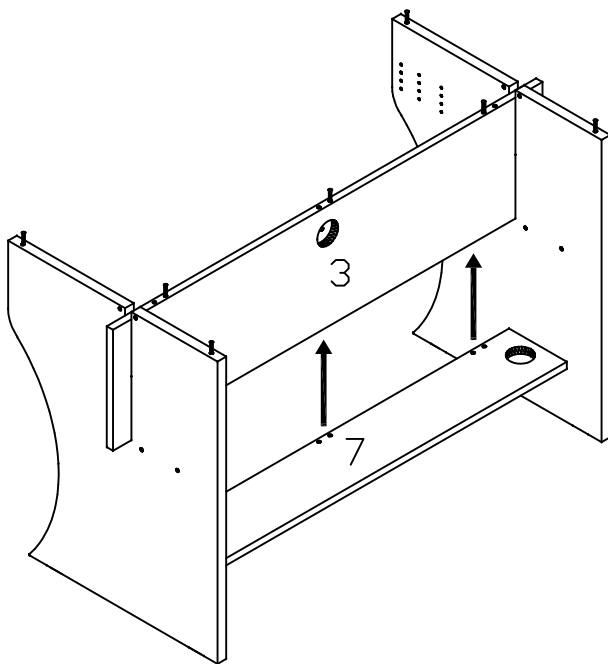
fix wooden connectors C
in the appropriate holes

STEP 1

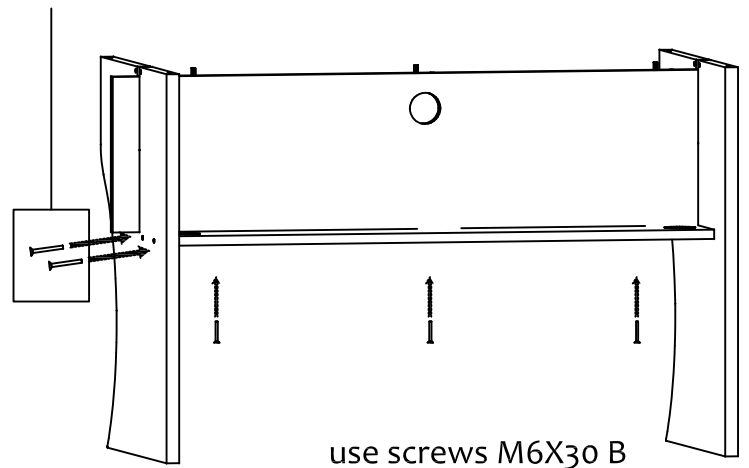


fix wooden connectors C in the appropriate holes of the
panels 1 and 2;
fix panel 3;

STEP 2



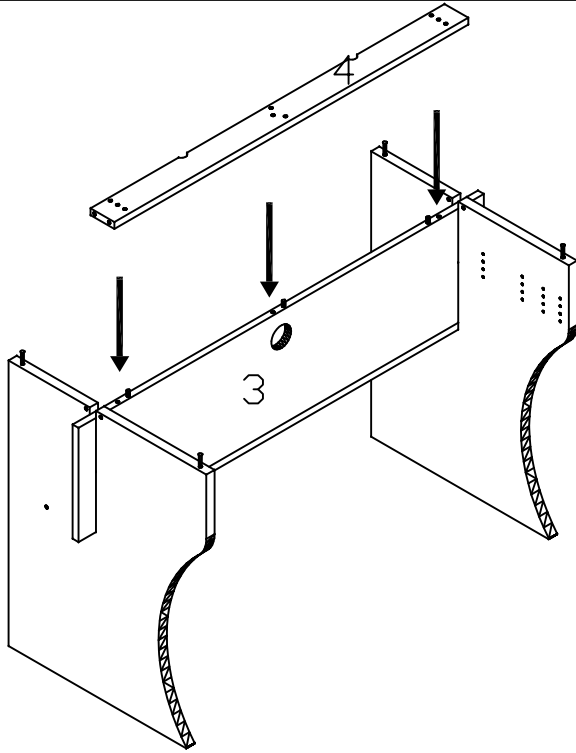
use screws M6X40 A



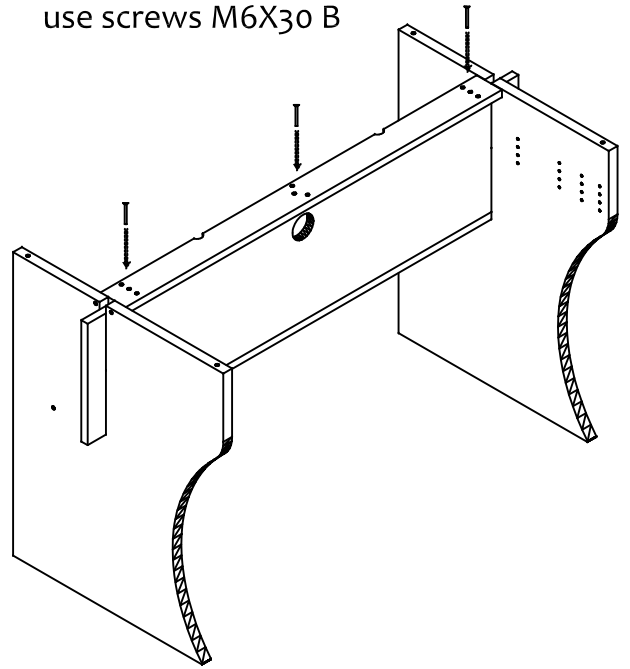
use screws M6X30 B

STEP 3

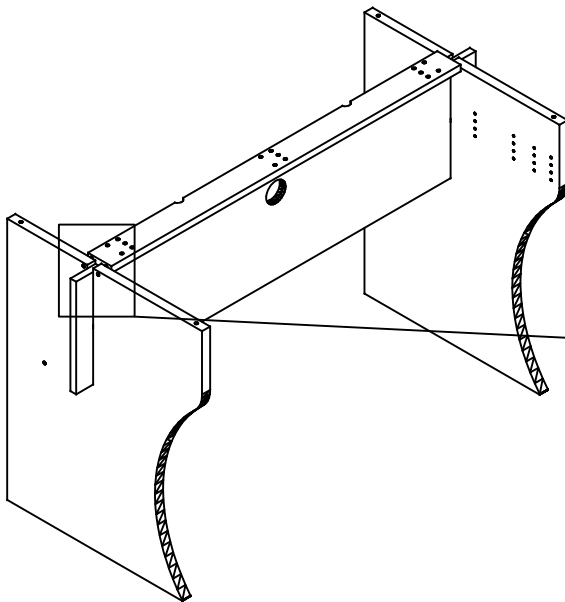
ComboDesk



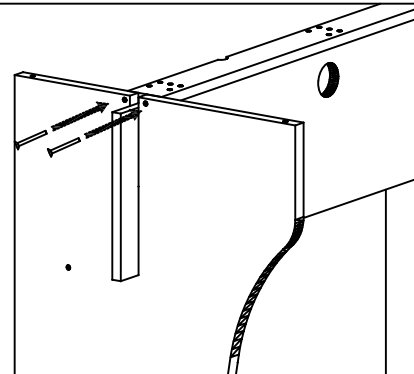
use screws M6X30 B



STEP 4

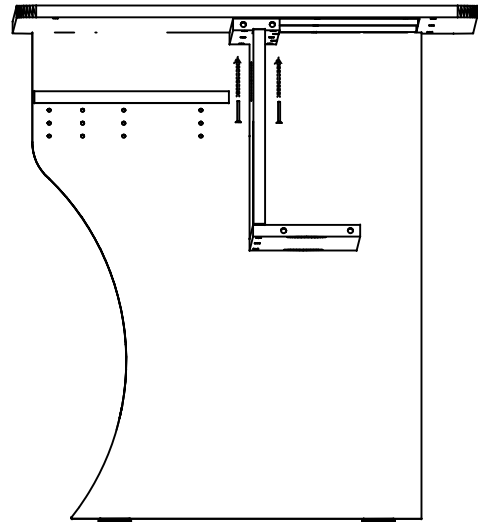
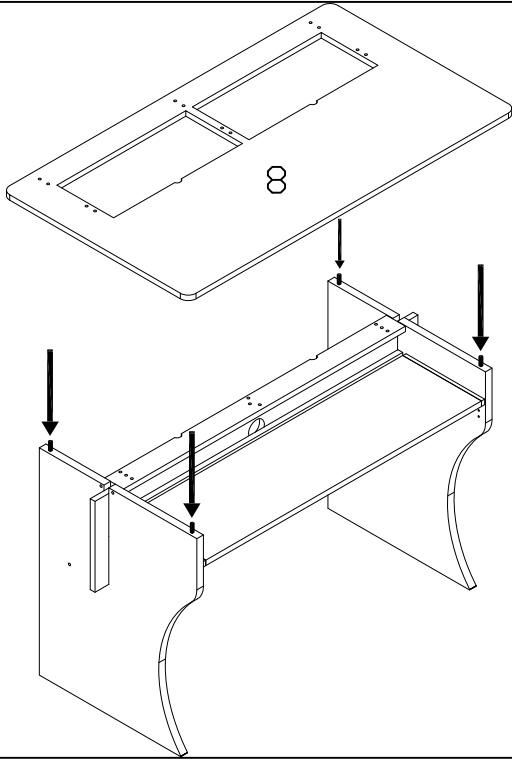


use screws M6X40 A



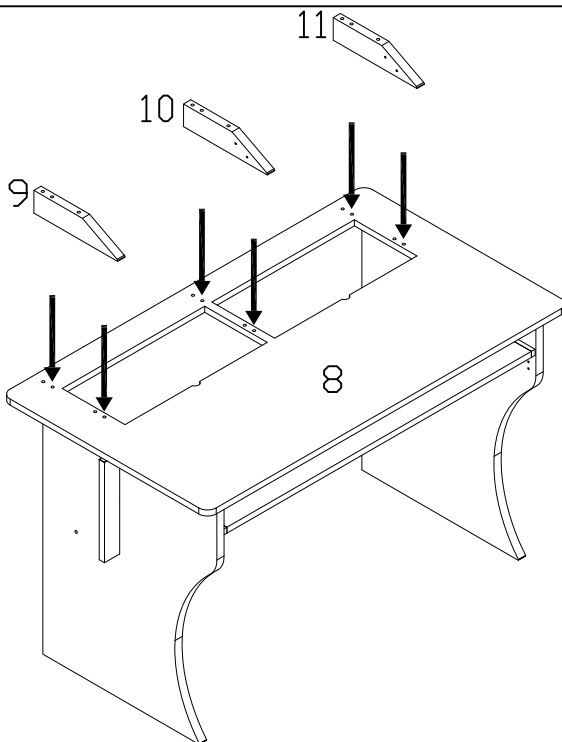
STEP 5

ComboDesk

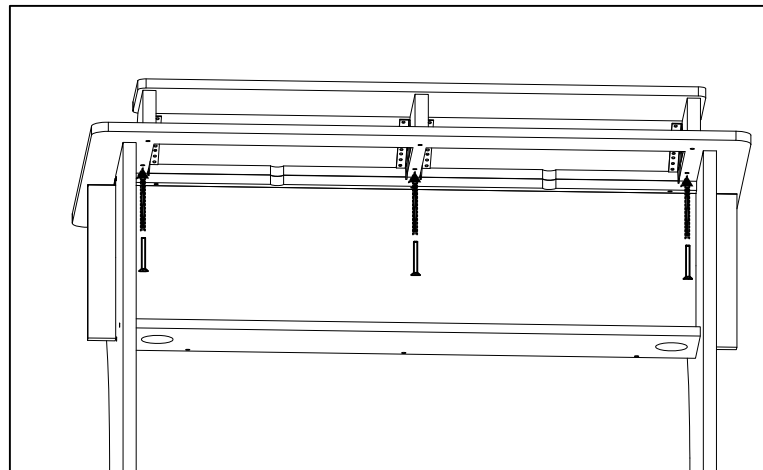


use screws M6X30 B

STEP 6

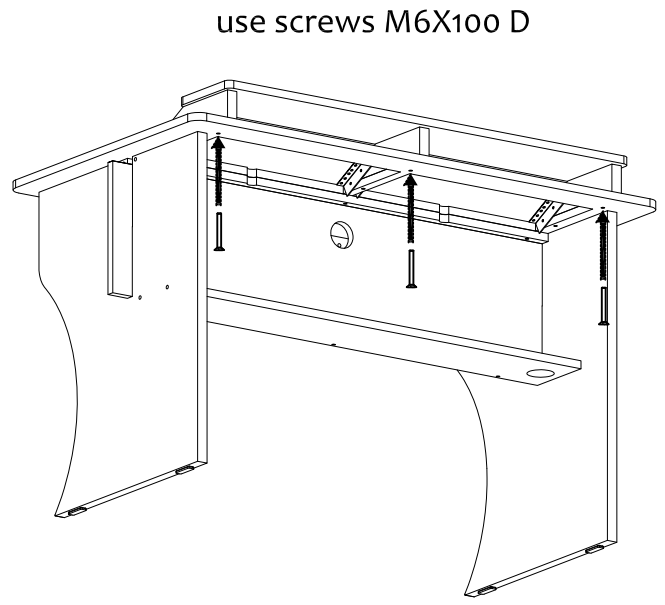
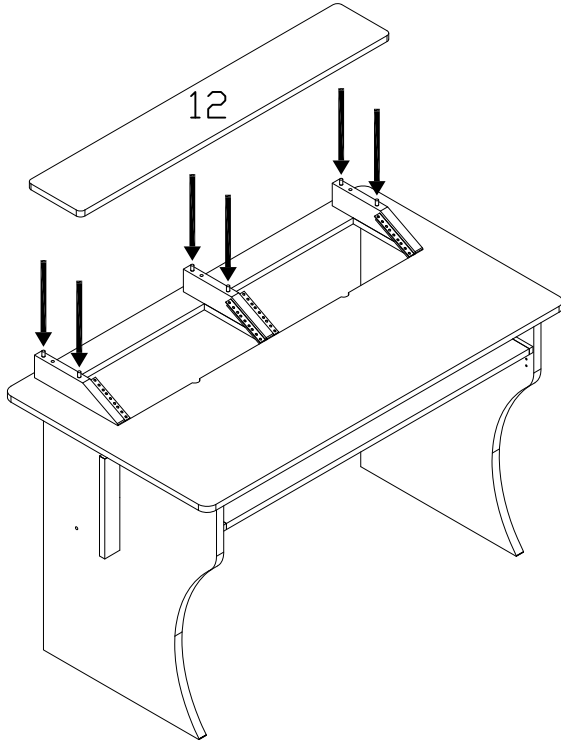


use screws M6X30 B

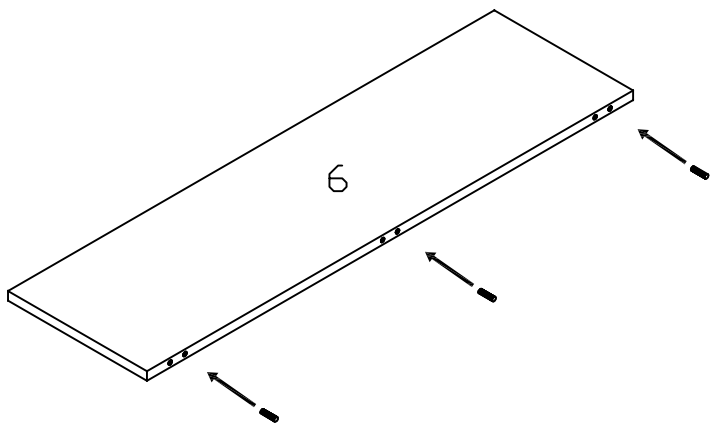


STEP 7

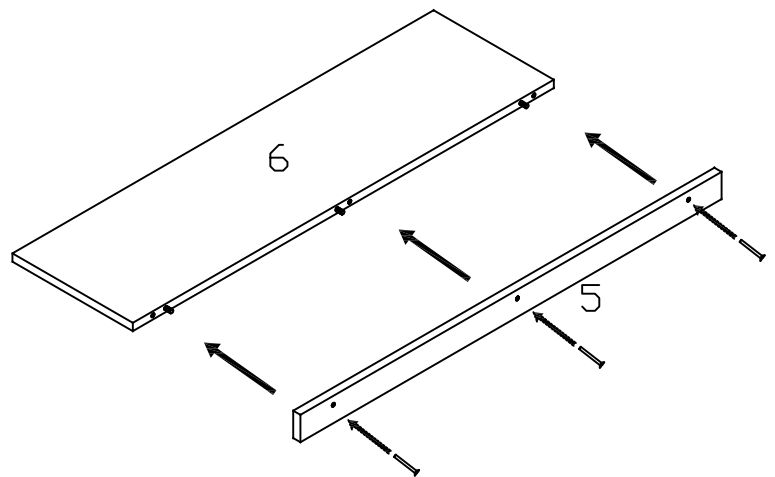
ComboDesk



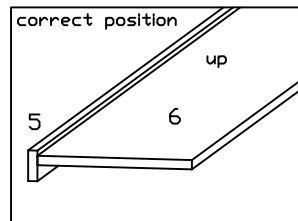
STEP 8



fix wooden connectors C
in the appropriate holes

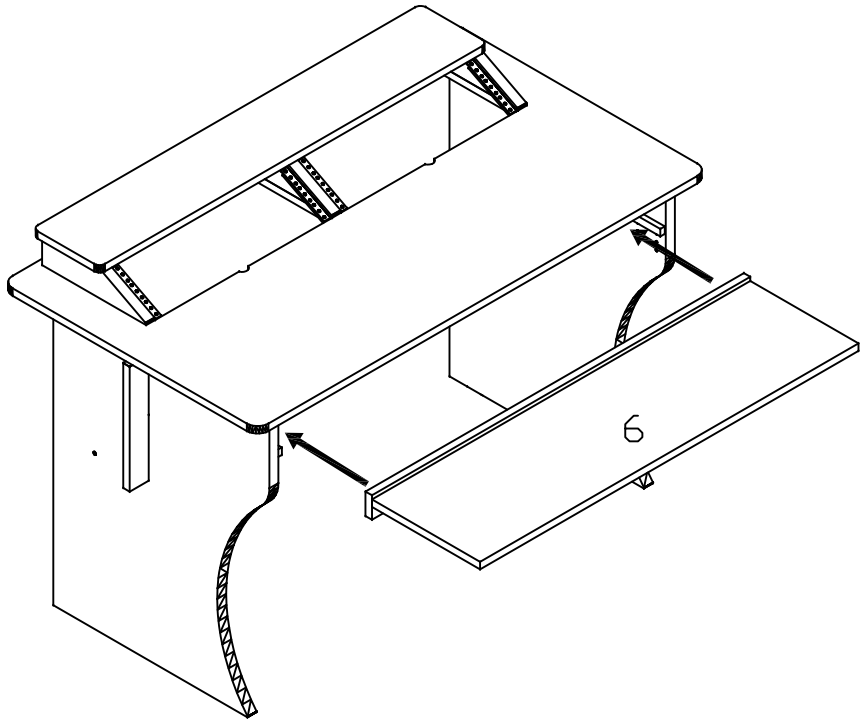


use screws M6X30 B

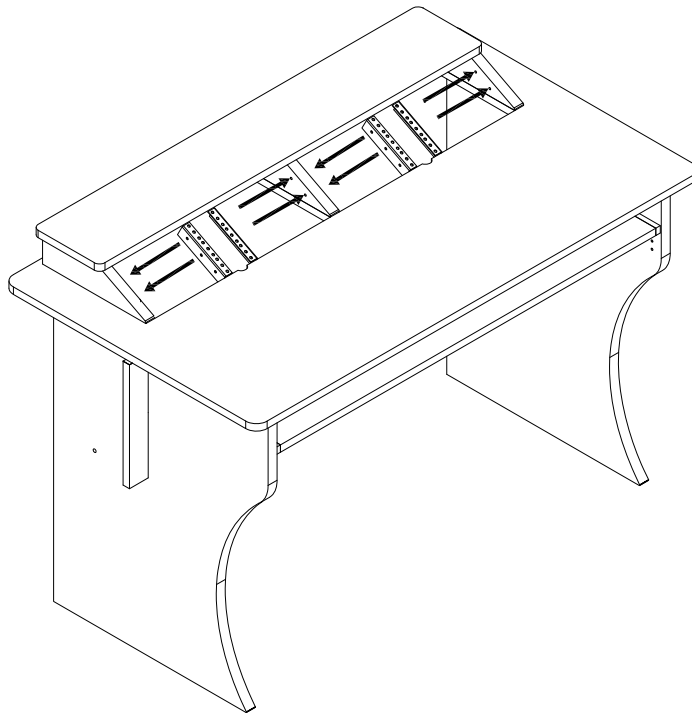


STEP 9

ComboDesk



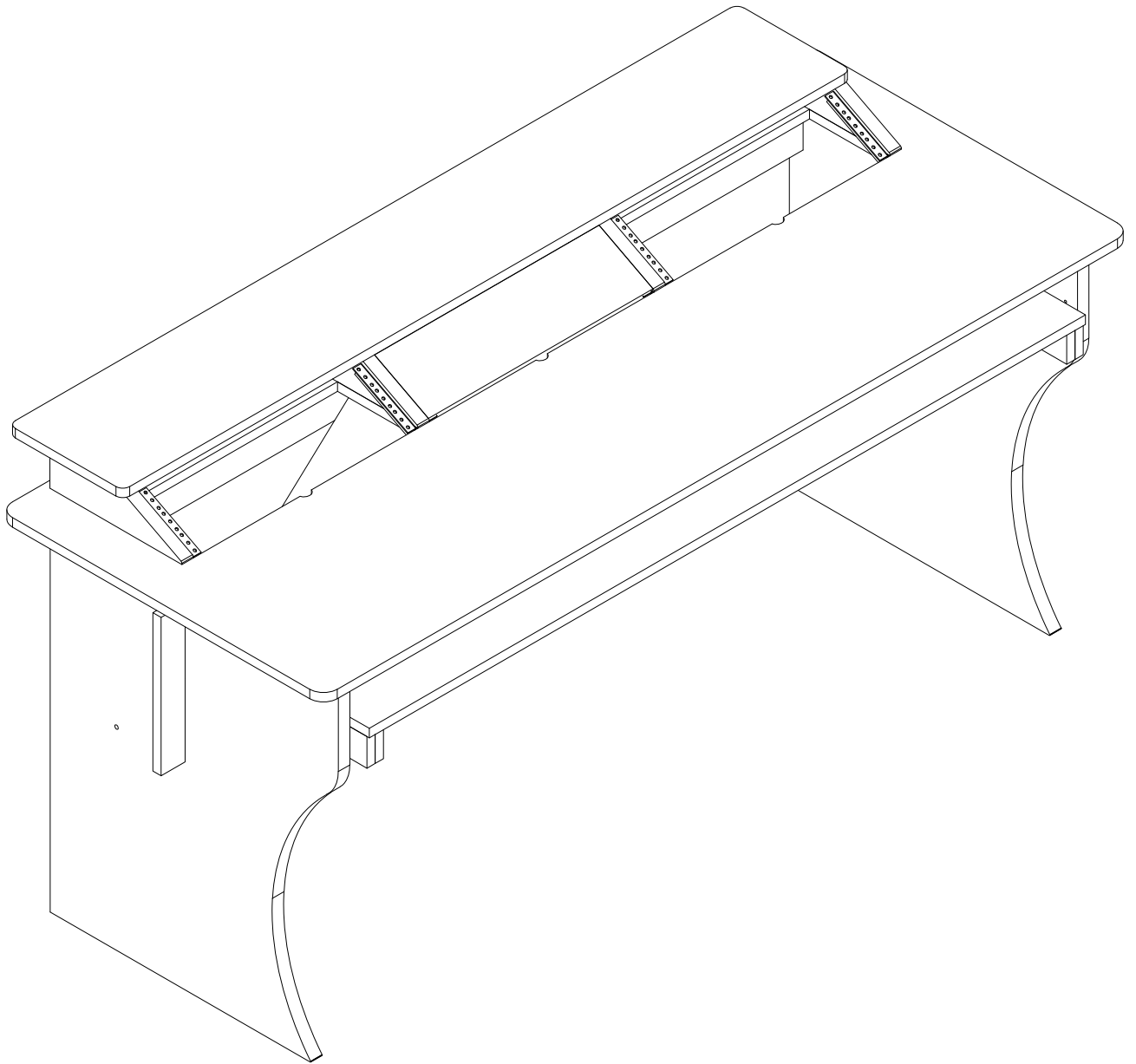
STEP 10



use screws E

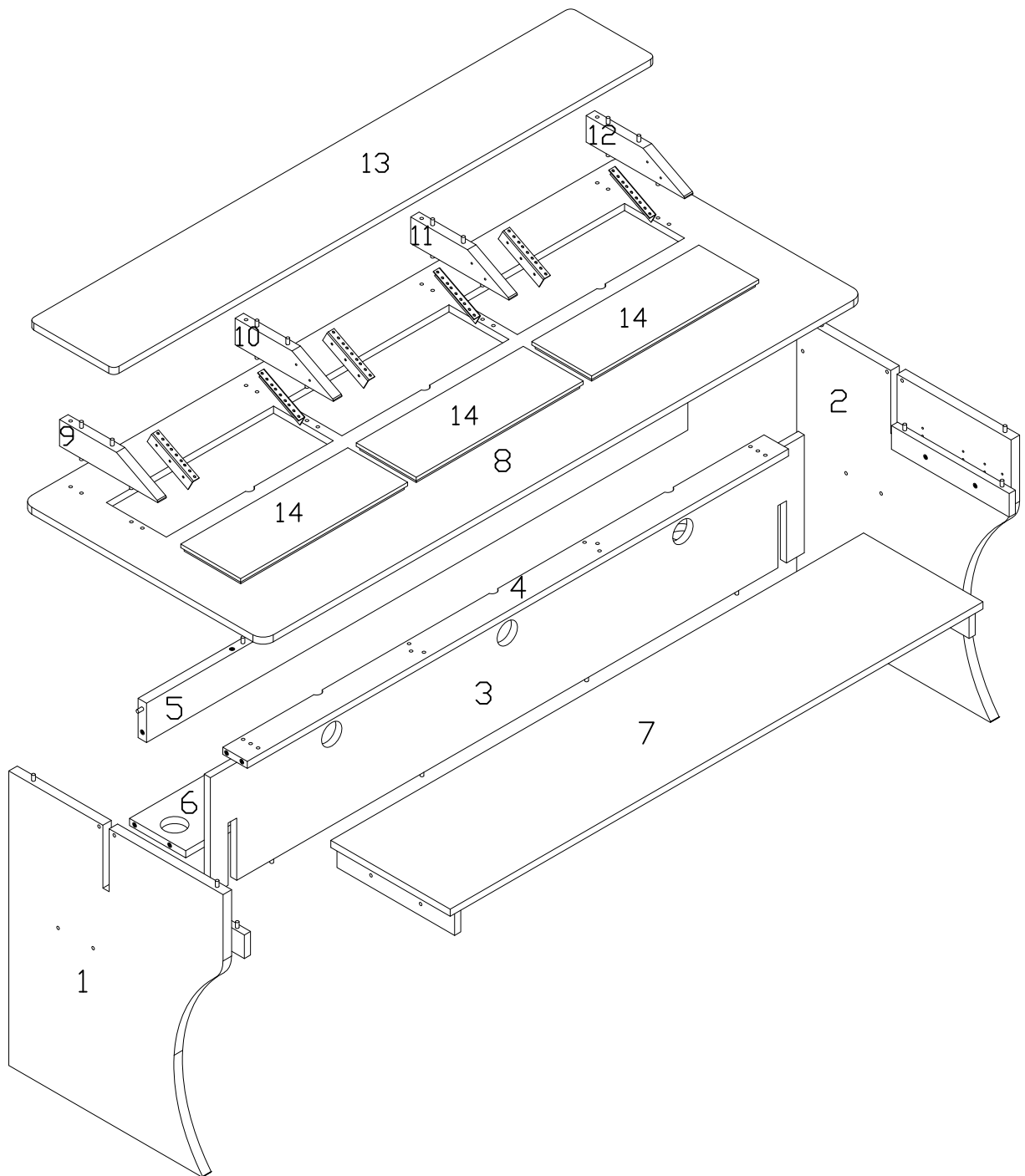
STEP 11

ComboDesk



COMBO 88 DESK Assembly Manual

ComboDesk

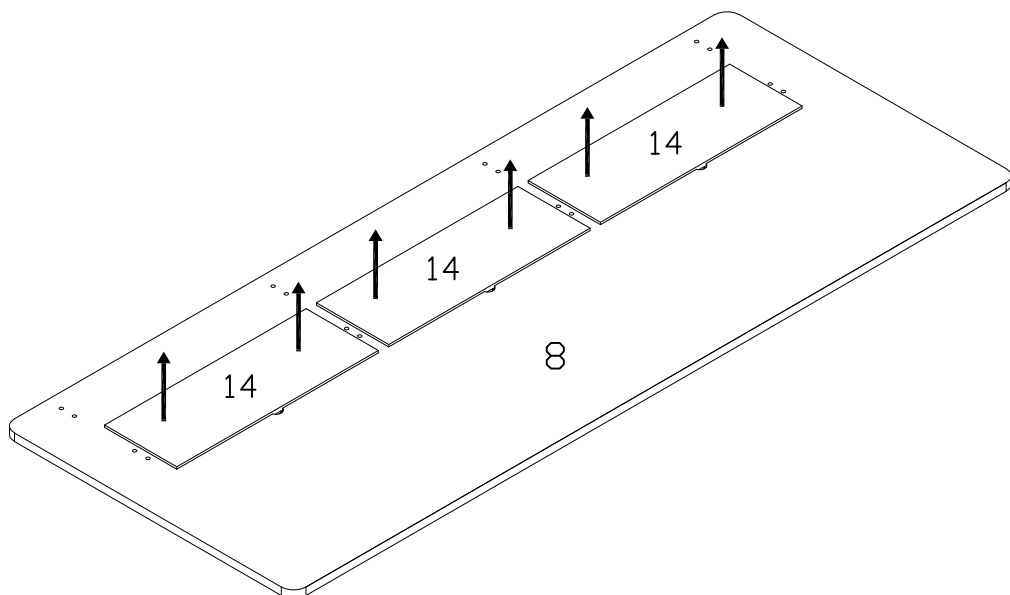
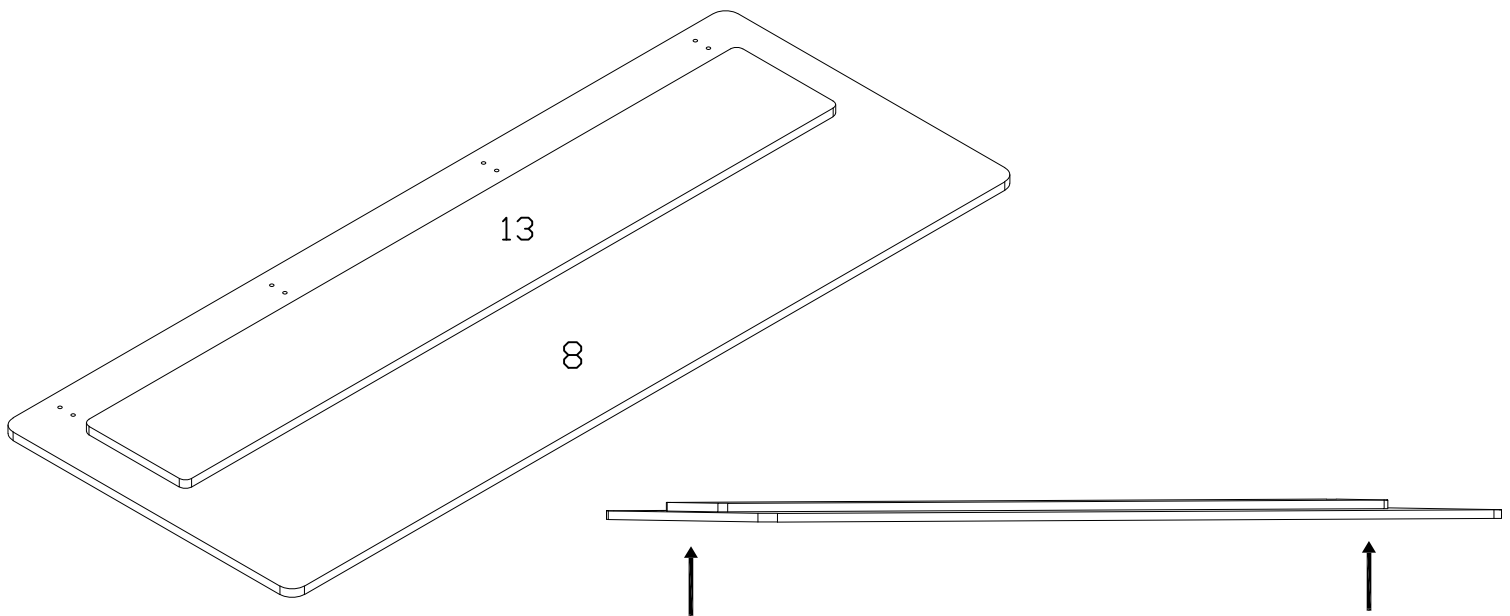


ComboDesk

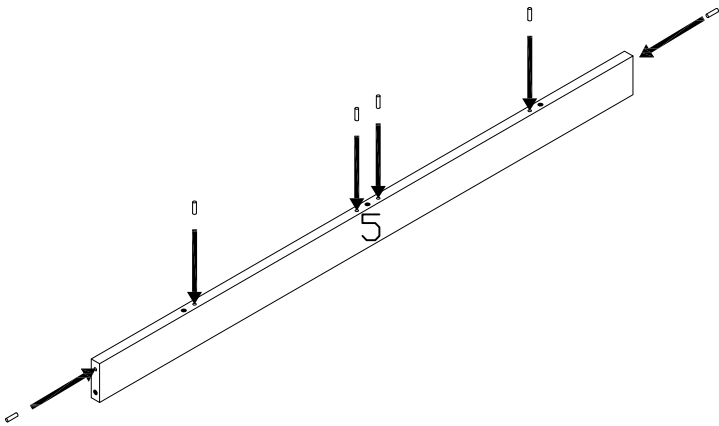
For reasons of safety and stability, parts number 8, 13 and 14 (3 pieces) are assembled during transport. Before you start building your Combo desk88 , turn part #8 with its underside upwards and lay it on the ground.

You will see 2 screws which hold together the three parts. Remove them and disassemble the parts carefully (keep the screws for later).

You are now ready to start building your Combo 88 studio desk.

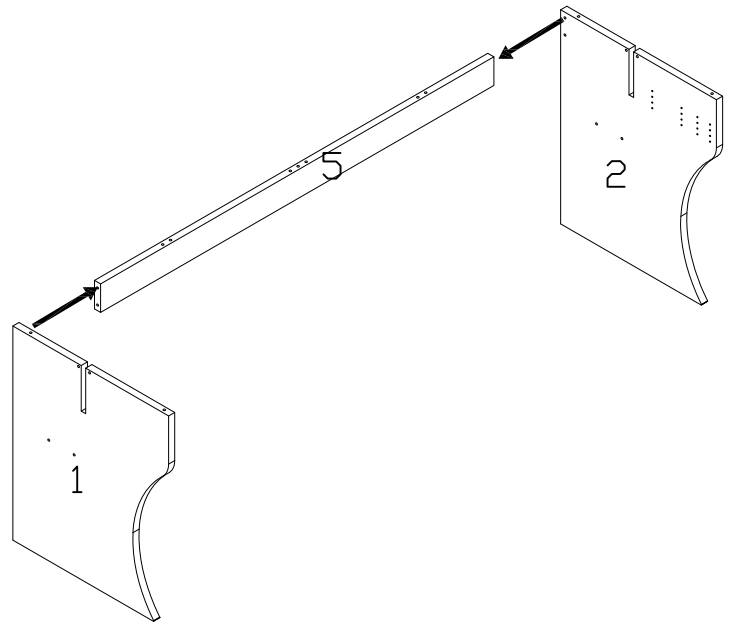


ComboDesk



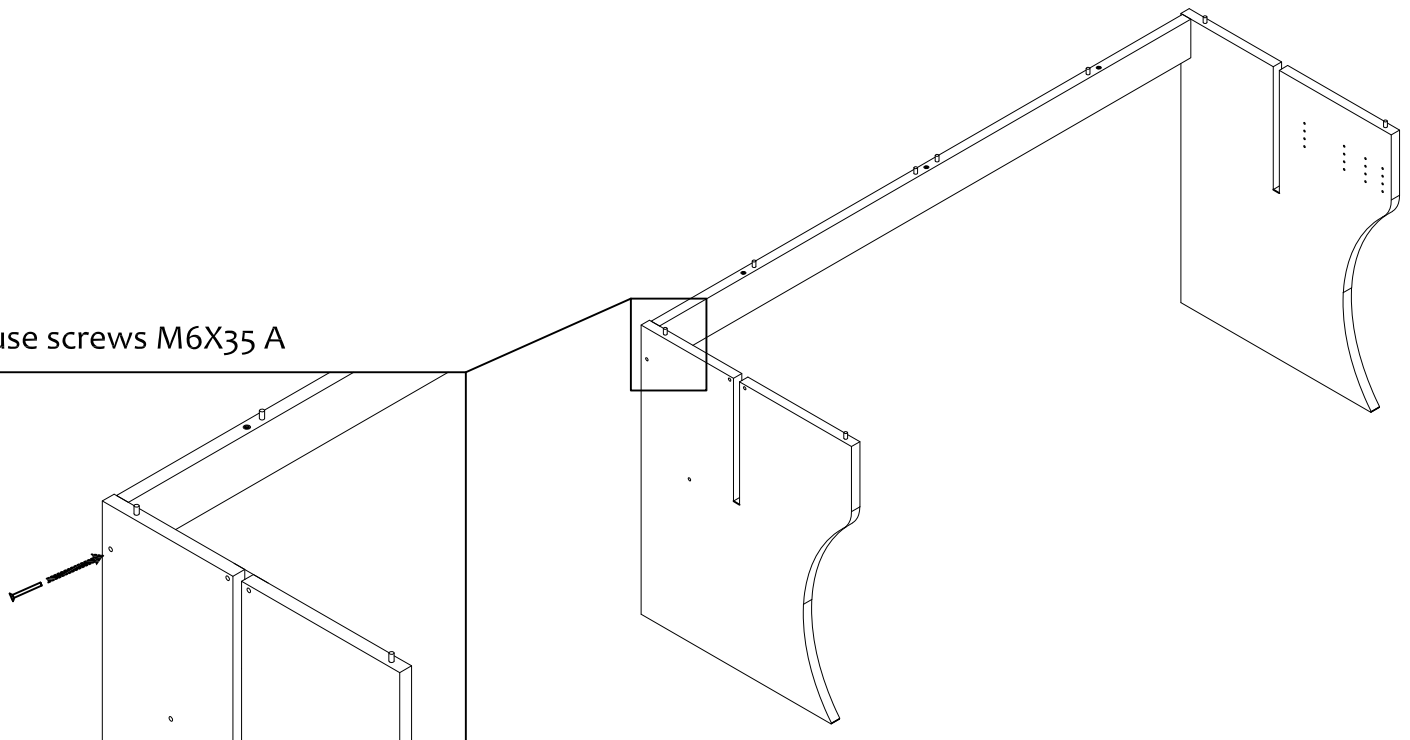
fix wooden connectors C
in the appropriate holes

STEP 1



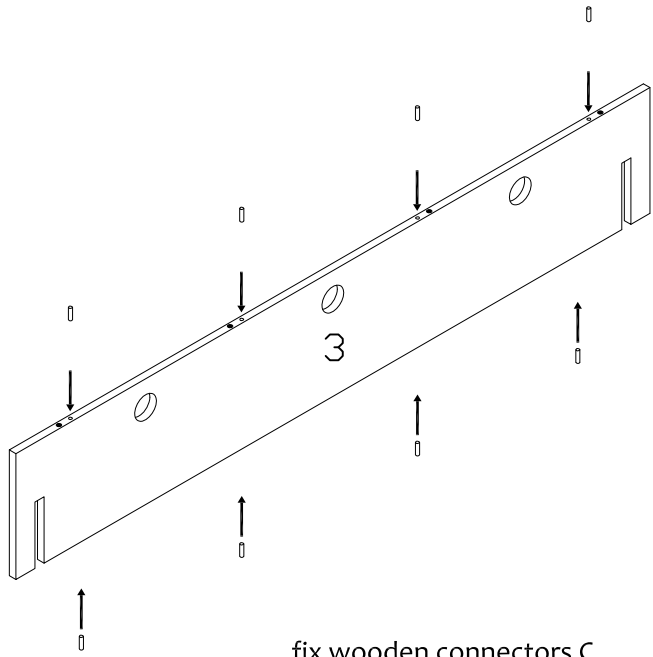
STEP 2

use screws M6X35 A



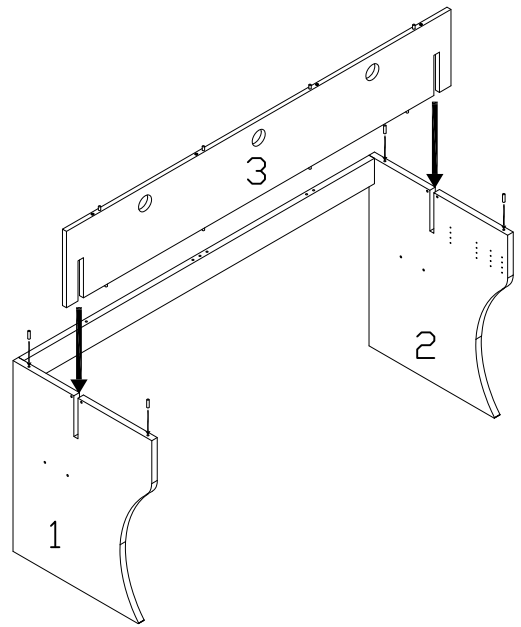
STEP 3

ComboDesk



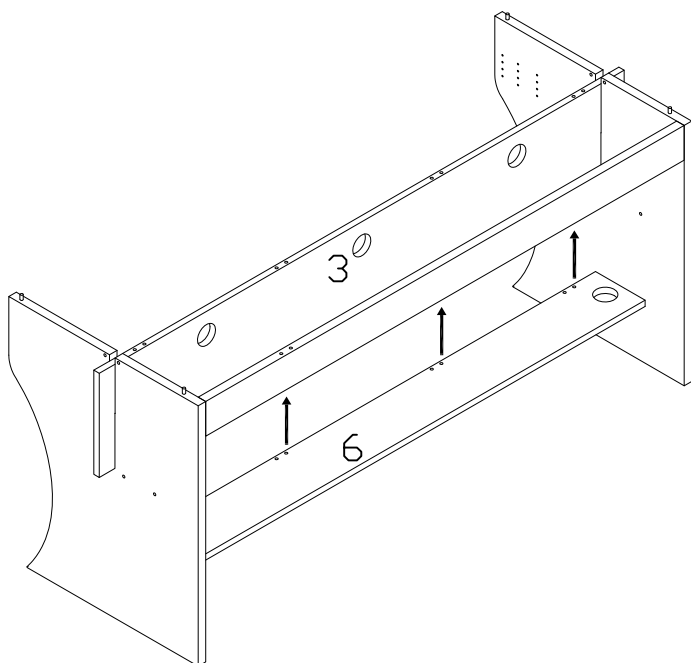
fix wooden connectors C
in the appropriate holes

STEP 4

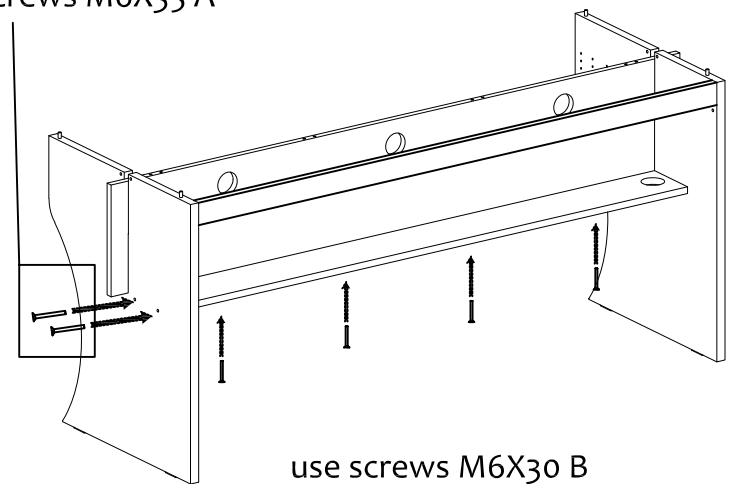


fix wooden connectors C in the appropriate holes of the
panels 1 and 2;
fix panel 3 ;

STEP 5



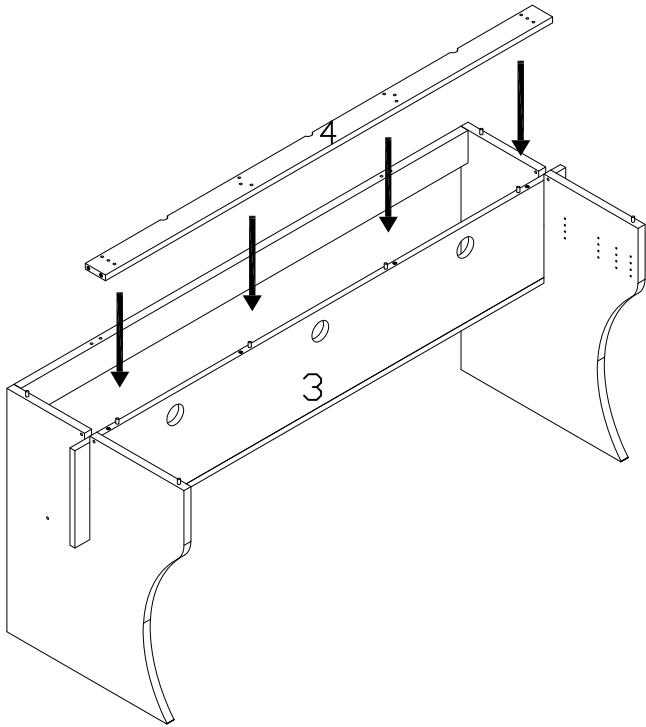
use screws M6X35 A



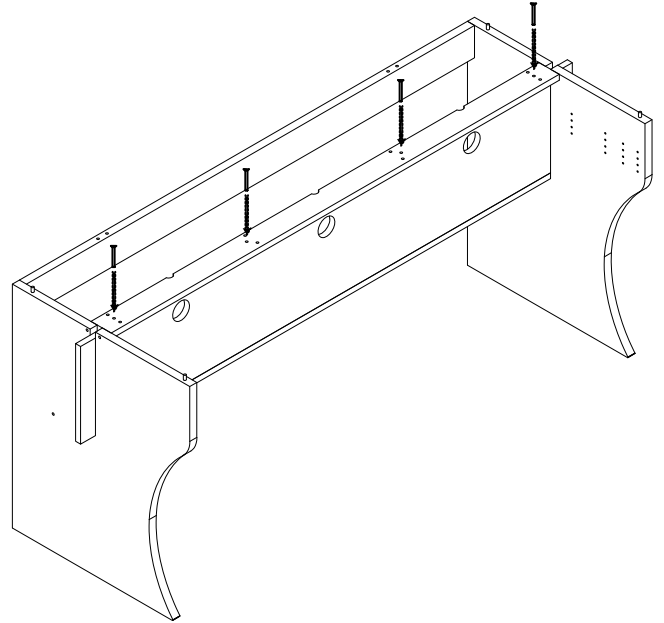
use screws M6X30 B

STEP 6

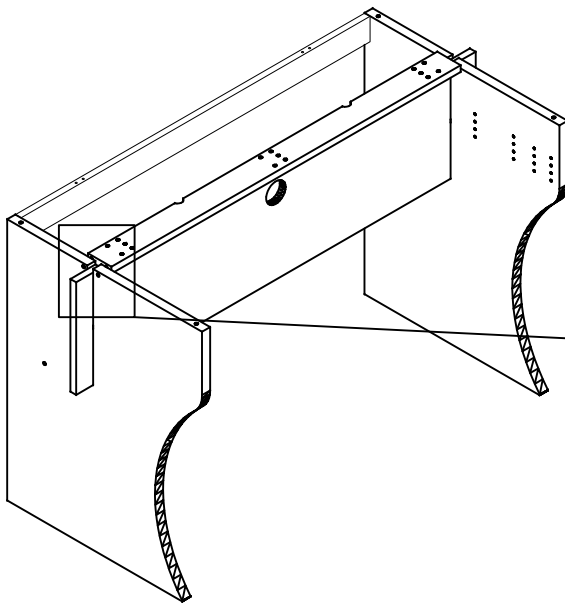
ComboDesk



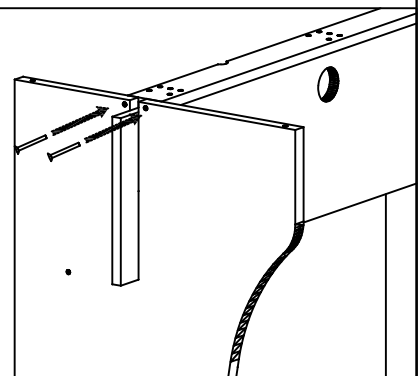
use screws M6X30 B



STEP 7

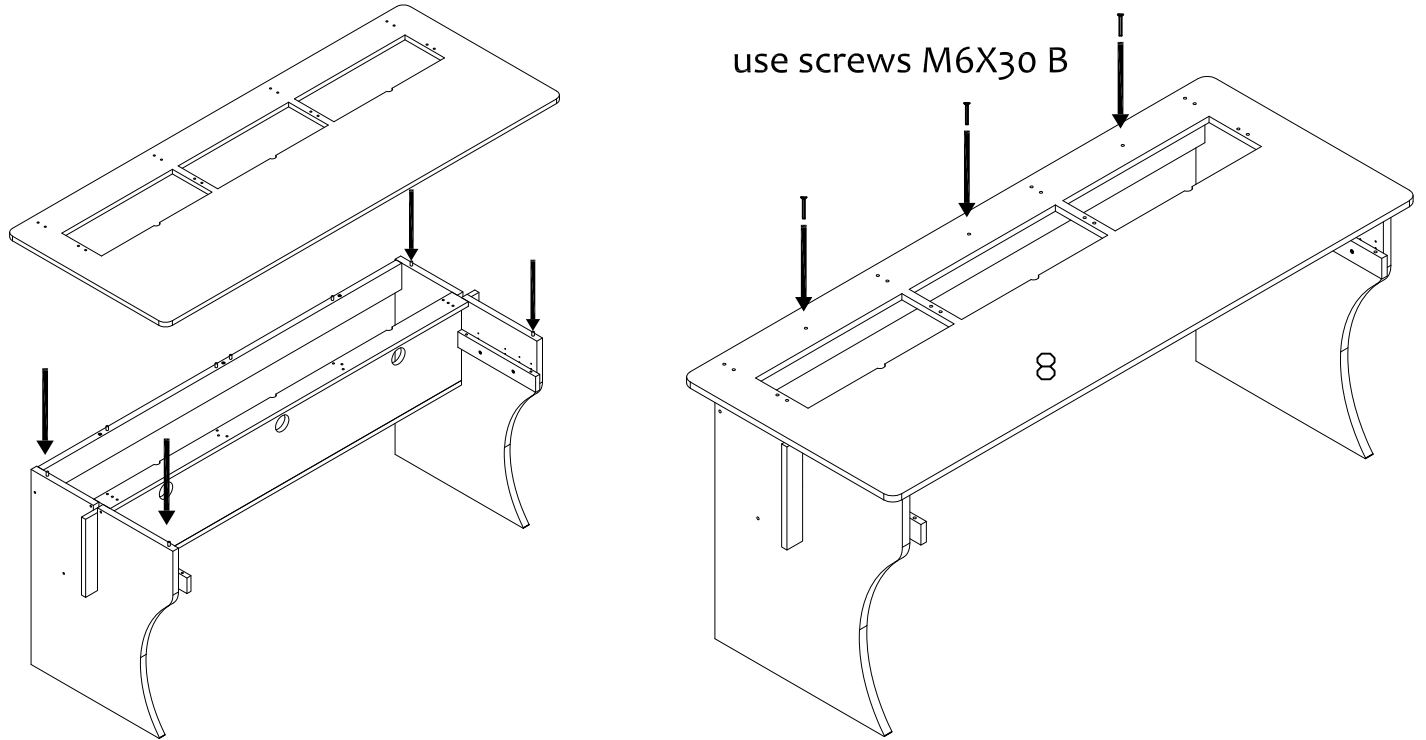


use screws M6X35 A

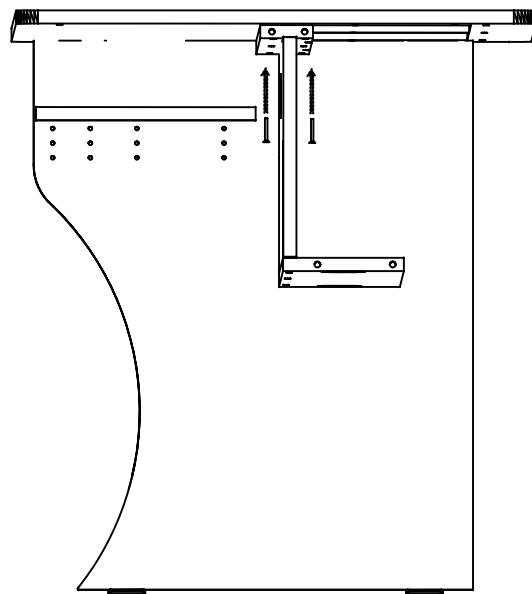


STEP 8

ComboDesk



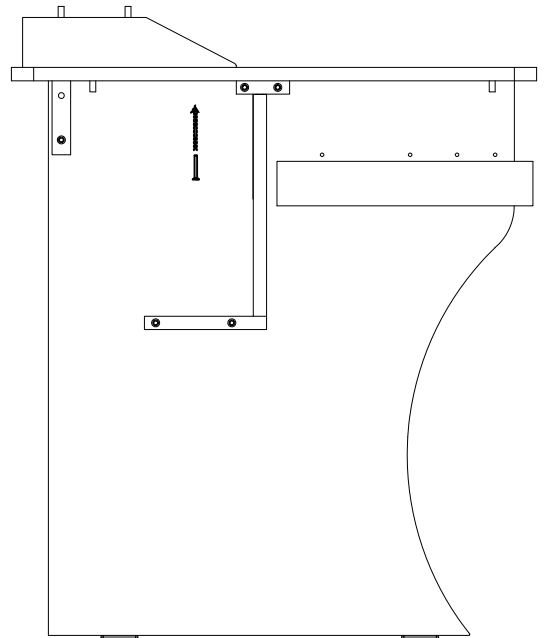
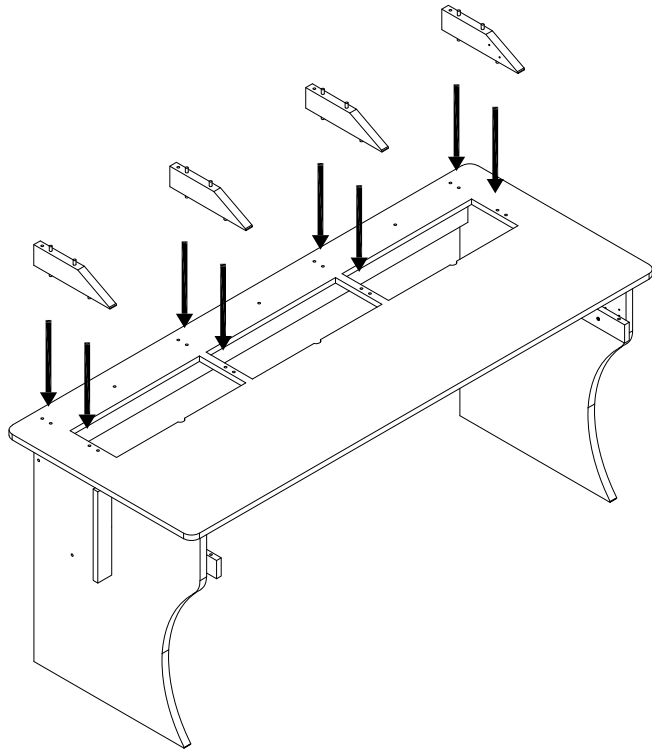
STEP 9



use screws M6X30 B

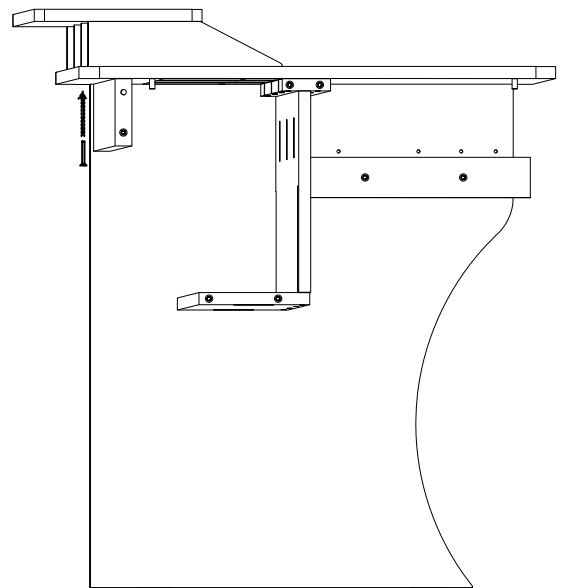
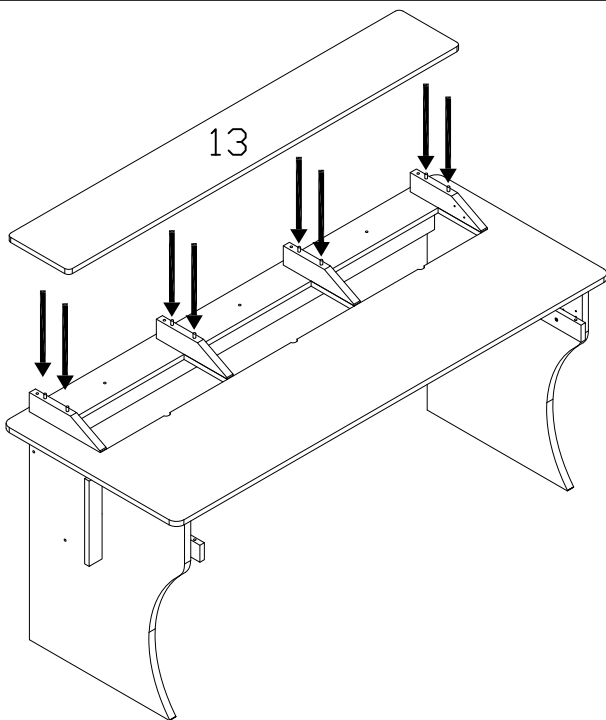
STEP 10

ComboDesk



use screws M6X30 B

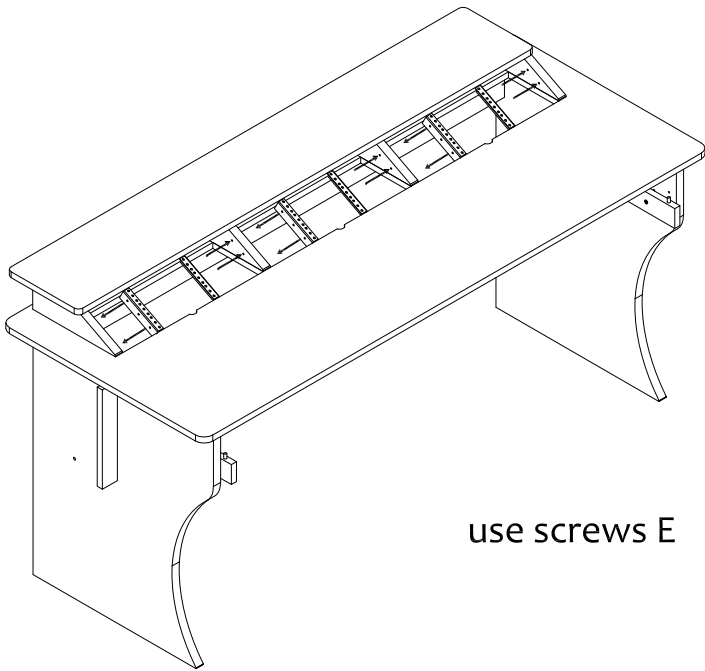
STEP 11



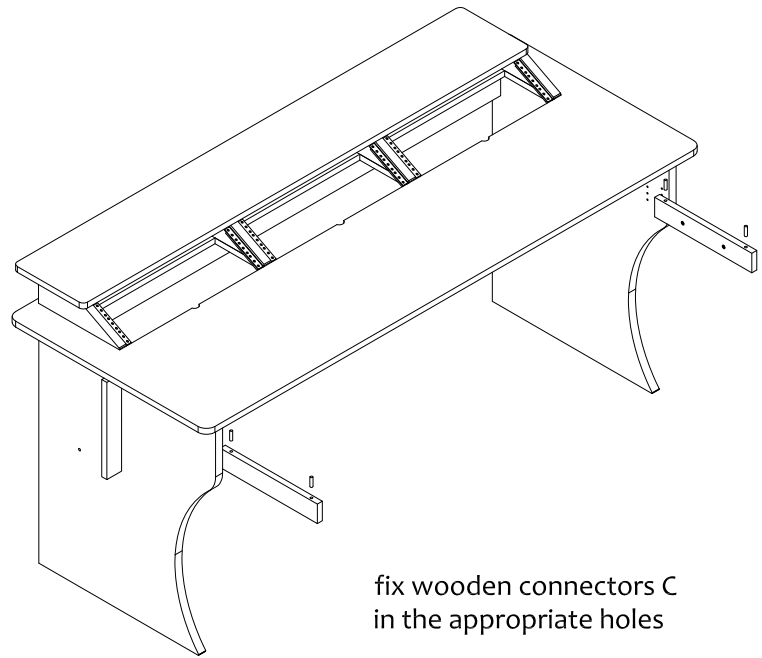
use screws M6X100 D

STEP 12

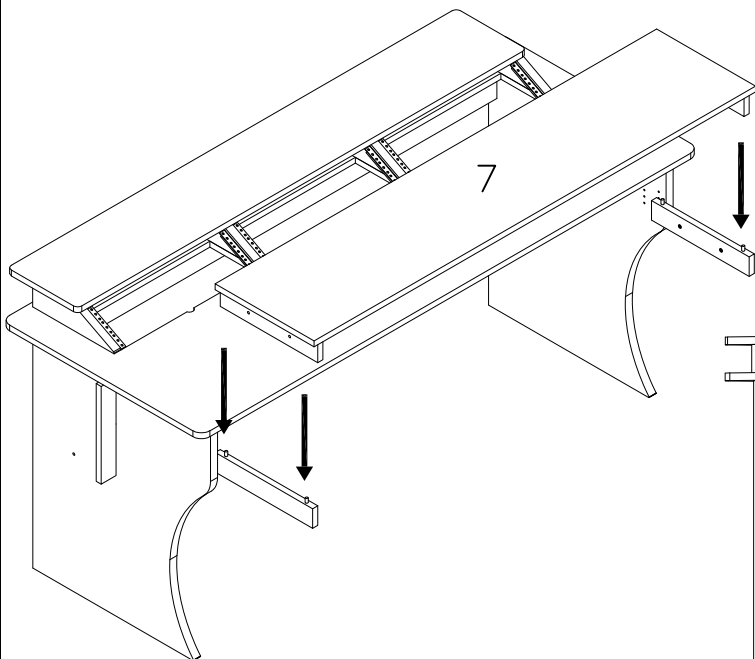
ComboDesk



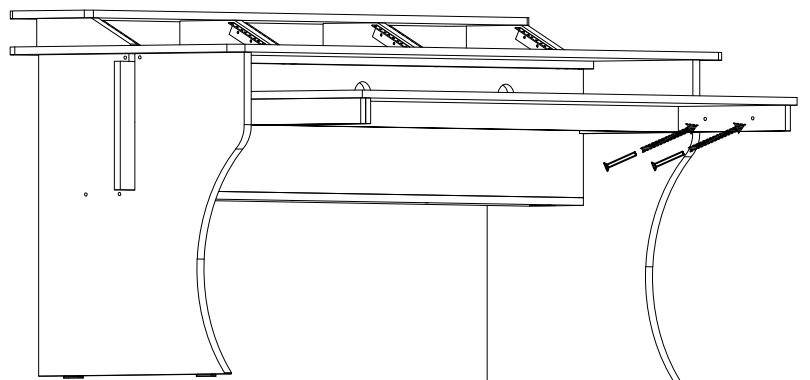
STEP 13



STEP 14



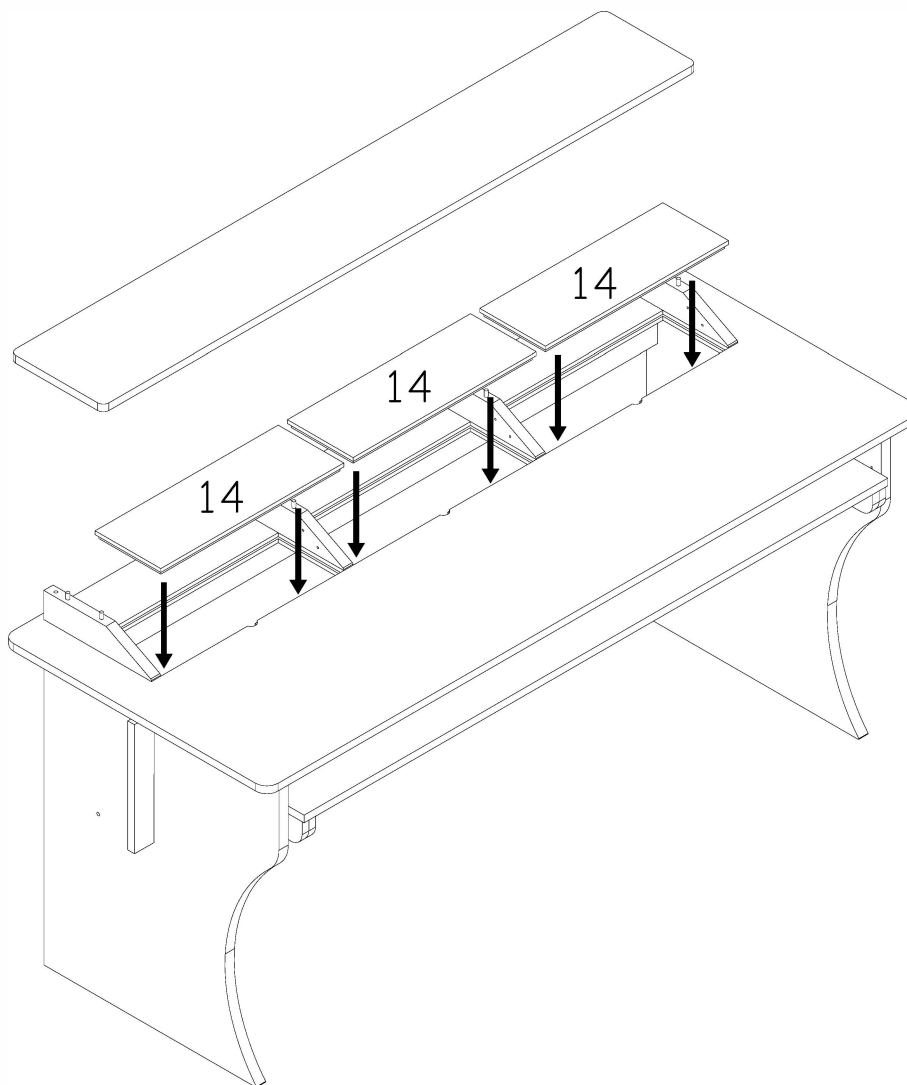
use screws M6X30 B



STEP 15

ComboDesk

if you don't need the rack units
don't fix the rack rails and use the pieces number 14
to close the holes



Packing List:

N° 10+1 screws M6x35 A;
N° 27+1 screws M6x30 B;
N° 22+2 wooden connectors C;
N° 4+1 screws M6x 100 D;

N° 12 screws for rack rail E ;
N° 36 rack screws ;
N° 01 hex wrench ;